

ZERTIFIKAT ◆ CERTIFICATE ◆ CERTIFICADO ◆ CERTIFICAT ◆ 認 証 証 書 ◆ CERTIFICATE ◆ ZERTIFIKAT

Proprietà di



Property of



Industrie Service

EC TYPE-EXAMINATION CERTIFICATE

According to Annex V, Part A of 95/16/EC Directive

Certificate No.: ATV 286/10

Certification Body of the Notified Body: TÜV SÜD Industrie Service GmbH
Westendstr. 199
80686 Munich – Germany
Identification No. 0036

Certificate Holder: Wittur Holding GmbH
Rohrbachstraße 26-30
85259 Wiedenzhausen – Germany

Manufacturer of the Test Sample: Wittur S.p.A.
Via Macedonio Melloni, 12
43052 Colorno (Parma) – Italy
(Manufacturer of Serial Production - see Enclosure)

Product: Locking device with hook bolt for horizontally moved, centre opening, power operated sliding landing doors with two panels

Type: 3201-HYDRA series of type 01/C
3201-HYDRA EVO series of type 01/C
3201-SCORPION series of type 01/C
Brand: **SELECON**

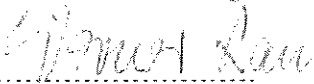
Directive: 95/16/EC

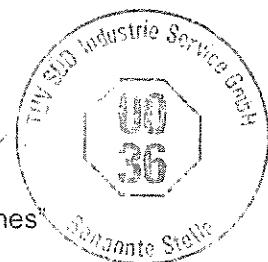
Reference Standards: EN 81-20:2014
EN 81-50:2014
EN 81-1:1998+A3:2009
EN 81-2:1998+A3:2009

Test Report: ATV 285/10-286/10 dated 2015-03-31

Outcome: The safety component conforms to the essential health and safety requirements of the mentioned Directive as long as the requirements of the annex of this certificate are kept.

Date of Issue: 2015-03-31


Werner Rau
Certification Body "lifts and cranes"



Proprietà di



WITTUR

Property of

Enclosure of EC type-examination certificate
no. ATV 286/10 dated 2015-03-31



Industrie Service

Manufacturers serial production – production sites (stated: 2015-03-31):

| | |
|----------------------------|--|
| Company Address | Wittur S.p.A. Via Macedonio Melloni, 12 43052 Colorno (Parma) - Italy |
| Company Address | Wittur Elevator Components S.A. Poligono Industrial Malpica, Calle E, num. 8 50016 Zaragoza - Spain |
| Company Address | Wittur Asansör San. ve Tic. A.Ş . Dudullu Org. San. Bölgesi No:13 34776 Istanbul – Turkey |
| Company Address | Wittur Elevator Components (SUZHOU) Co. Ltd. 18 Shexing Rd., FOHO Economic Development Zone, Wujiang City, Jiangsu Province – China |
| Company Address | Wittur LTDA Rodovia Celso Garcia Cid 1406 Cambé, Parana - Brazil |
| Company Address | Wittur s.r.o. Priemyselná ulica 2747/7 963 01 Krupina - Slovakia |

- END OF DOCUMENT -

Base: Writing of Co. Wittur S.p.A. dated 2015-02-27

Note: The English text is a translation of the German original. In case of any discrepancy, the German version is valid only.



1 Scope of application

1.1 Locking device with hook bolt, for horizontally moved, side opening, two-panel telescopic sliding landing doors with power operation

3201-HYDRA series of type 01/C
3201-HYDRA EVO series of type 01/C
3201-SCORPION series of type 01/C

1.2 Permissible door dimensions:

The clear door dimensions (door width, door height) shall be chosen only within the admissible scope according to the details and the table in the corresponding approval drawing

– 3201-HYDRA series / 3201 SCORPION series

No. 3201.00.0101V02 dated 2015-02-16

– 3201-HYDRA EVO series

No. 1007263 (2 pages) dated 2014-03-21 with last alteration „A“ of 2015-02-25

1.3 Nominal values of the electrical safety devices (lock contact):

AC: 230 V / 2 A

DC: 200 V / 2 A

1.4 The locking device alternatively may be used with the following variation (single or combined) of the basic version

- the type with drip proof version of the of the electric safety device of the lock
- arrangement of the emergency unlocking device adjacent to the clearance between the indirectly blocked door panel and the header
- the type with inclined position of the rope pulleys of the telescopic rope drive
- execution of the locking pin actuation with rigid, u-shaped coupling cam, preferably in the case of landing doors in inclined lifts with an inclination of the travel path of 45° to the vertical
- execution of the locking pin actuation with rigid, ruler-shaped coupling cam
- double arrangement of the closing spring
- closing device with weight instead of a tensioning spring
- sill guide as reinforced version (sill profile and guide shoe)

2 Conditions

2.1 The approval drawings of the corresponding variant

3201-HYDRA series / 3201-SCORPION series:

- No. 3201.00.0101V01 dated 2015-02-16
- No. 3201.00.0101V02 dated 2015-02-16
- No. 3201.10.0025V01 dated 2015-02-17
- No. 3201.10.0025V02 dated 2015-02-17

3201 HYDRA EVO series:

- No. 1007263 (2 pages) dated 2014-03-21 with last alteration of 2015-02-25

as well as the written notes and dimension details given in the mentioned approval drawing have to be observed.



In particular the following conditions must have been observed.

- When operating, the hook bolt must engage to a depth of: ≥ 11 mm
- In case of interruption of the lock contact, the hook bolt must engage to a depth of: ≥ 7 mm

2.2 Deviations of the locking device from the approval drawings like

- type of design,
 - mounting position,
 - actuating device or
 - additional control switches
- are not allowed.

2.3 For identification and information about the principal construction and operation and for demarcation of the examined and approved sample the approval drawings/bills of material

- No. 3201.00.0101V01 dated 2015-02-16
- No. 3201.00.0101V02 dated 2015-02-16
- No. 3201.00.0101V03 dated 2015-02-16
- No. 3201.10.0025V01 dated 2015-02-17
- No. 3201.10.0025V02 dated 2015-02-17
- No. 1007263 (2 pages) dated 2014-03-21 with last alteration of 2015-02-25

with certification stamp of 2015-03-31 have to be enclosed to the EC type-examination certificate and its annex.

2.4 The EC type-examination certificate may only be used in connection with the pertinent annex and the enclosure (list of the manufacturers serial production). This enclosure shall be updated and re-edited following information of the certificate holder.

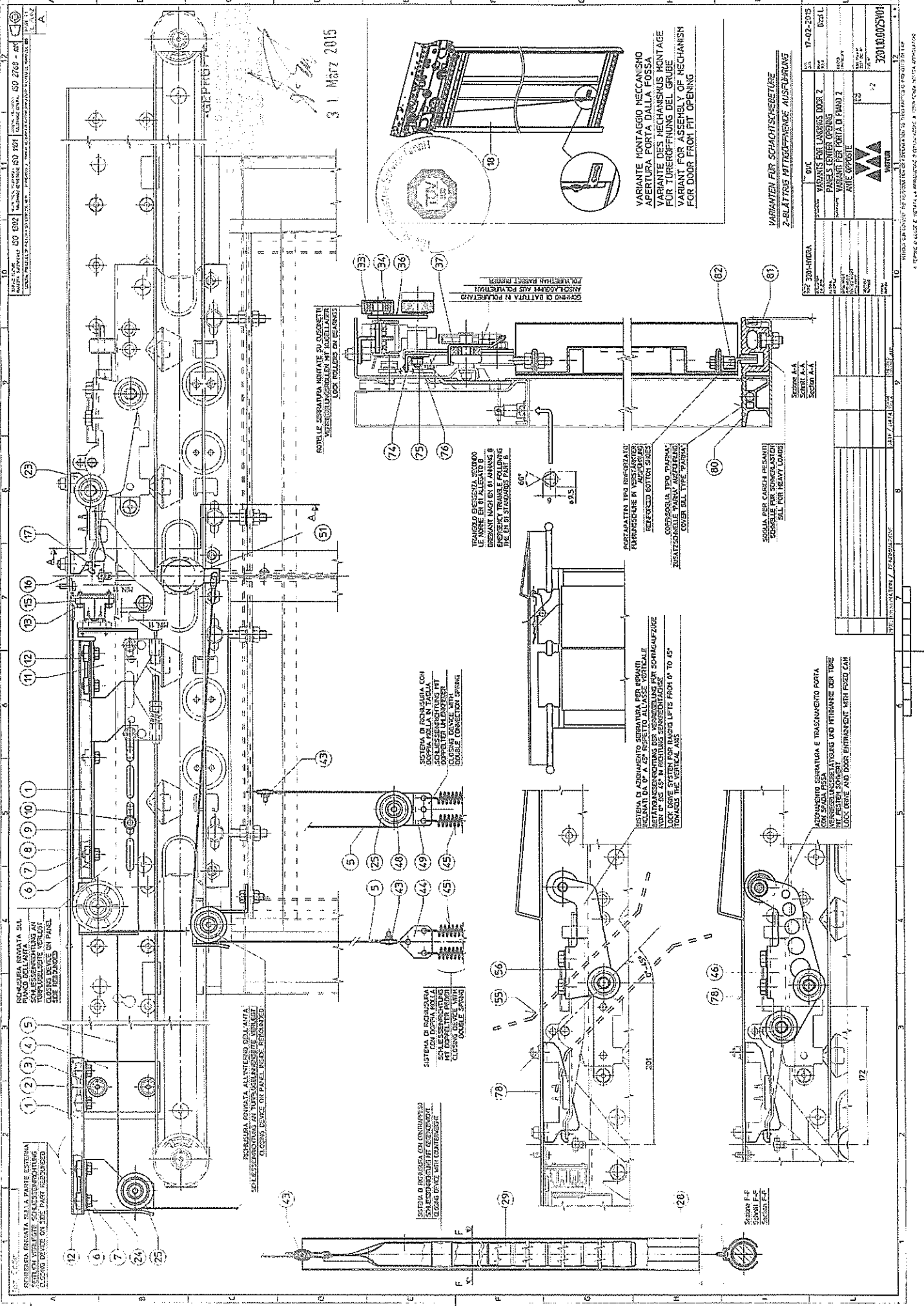
3 Remarks

3.1 This EC type-examination certificate is based on the following harmonized standards:

- EN 81-1:1998 + A3:2009 (D), section 7.7.3.1 and annex F.1
- EN 81-2:1998 + A3:2009 (D), section 7.7.3.1 and annex F.1
- EN 81-20:2014 (D), section 5.3.9.1
- EN 81-50:2014 (D), section 5.2

Changes resp. extensions of the upper mentioned standards or a further development of the state of the art may make a revision of this report necessary.

3.2 At the locking device, in addition to the mark of the complete locking device, there shall be a label with the information necessary for the component's identification with the name of the manufacturer, EC type-examination sign and details of type.



10
 11
 12
 13
 14
 15
 16
 17
 18
 19
 20
 21
 22
 23
 24
 25
 26
 27
 28
 29
 30
 31
 32
 33
 34
 35
 36
 37
 38
 39
 40
 41
 42
 43
 44
 45
 46
 47
 48
 49
 50
 51
 52
 53
 54
 55
 56
 57
 58
 59
 60
 61
 62
 63
 64
 65
 66
 67
 68
 69
 70
 71
 72
 73
 74
 75
 76
 77
 78
 79
 80
 81
 82

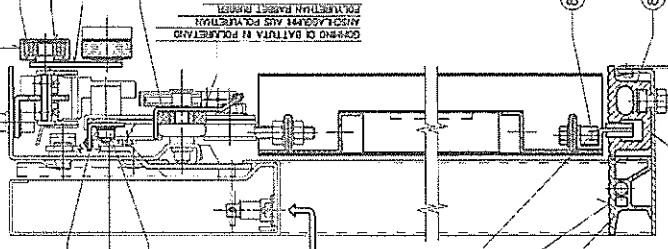
31 März 2015

VARIANTE MONTAGGIO MECCANISMO APERTURA PORTA DALLA FOSSA
 VARIANTE DES MECHANISMUS MONTAGE FÜR TÜRERÖFFNUNG DEL GRUBE
 VARIANT FOR ASSEMBLY OF MECHANISM FOR DOOR FROM PIT OPENING

VARIANTEN FÜR SCHACHTSCHÜBETÜR
 2-BLÄTTRIG MITTRENNEFÄHIGE AUSFÜHRUNG

| | | | |
|-------------|-------------------------------|------------|------------|
| PRODOTTORE | MAC | DATA | 17-02-2015 |
| MODELLO | VARIANTI PER LAMINE DOOR 2 | REVISIONE | 001.0 |
| DESCRIZIONE | PANELS ENTRY OPENING | PRODOTTORE | MAC |
| DESCRIZIONE | VARIANTI PER PORTA DI PIANO 2 | PRODOTTORE | MAC |
| DESCRIZIONE | ÄHNE ÖFFNUNG | PRODOTTORE | MAC |
| PRODOTTORE | MAC | DATA | 17-02-2015 |
| MODELLO | VARIANTI PER LAMINE DOOR 2 | REVISIONE | 001.0 |
| DESCRIZIONE | PANELS ENTRY OPENING | PRODOTTORE | MAC |
| DESCRIZIONE | VARIANTI PER PORTA DI PIANO 2 | PRODOTTORE | MAC |
| DESCRIZIONE | ÄHNE ÖFFNUNG | PRODOTTORE | MAC |
| PRODOTTORE | MAC | DATA | 17-02-2015 |
| MODELLO | VARIANTI PER LAMINE DOOR 2 | REVISIONE | 001.0 |
| DESCRIZIONE | PANELS ENTRY OPENING | PRODOTTORE | MAC |
| DESCRIZIONE | VARIANTI PER PORTA DI PIANO 2 | PRODOTTORE | MAC |
| DESCRIZIONE | ÄHNE ÖFFNUNG | PRODOTTORE | MAC |

ROTTILE ASSICURATA INVIATE SU CERNI
 VERBODEN TOEGANGEN MET ASSICURING
 LOCK COLLARS ON CERNIS



TRASMISSIONE A CERNI, VERSIONE
 LE ANCHE EN SU ALLEGATO B
 ERWECKT TRANSMISSION MIT
 THE EN IN STANDARD PART B

PORTANTIA TRU BURGSTALL
 FÄHRNENNE IN VERSTÄRKTER
 REINFORCED BOTTOM SHAKES

COPRISOLA TRU TRAMA
 ZIEHTSCHÜTTLER PAKK AUGERUNG
 COVER BALL TYPE PAKKIA

SOLLA PER CARICHI PESANTI
 SCHWELLE FÜR SONNENLÄSTEN
 SILL FOR HEAVY LOADS

SISTEMA DI SICUREZZA CON
 SCOPPIA DELLA IN TACOLA
 SCHLIESSENSTREIFEN MIT
 ON THE LOCKING STRIP
 DOUBLE CONNECTION SYSTEM

MECANISMO DE ARRANCADA DE LA
 CERRAJE DE LA PUERTA DE
 LOCK DOVE SYSTEM FOR
 THROUGH THE VERTICAL CASE

ARRANCAMENTO SERRATURA E TRASCINAMENTO PORTA
 ON SPALL PULL
 BY PASTER SOCKET
 LOCK ENTRY AND DOOR ENTRANCE WITH FIXED CAN

SISTEMA DI SICUREZZA CON
 SCOPPIA DELLA IN TACOLA
 SCHLIESSENSTREIFEN MIT
 ON THE LOCKING STRIP
 DOUBLE CONNECTION SYSTEM

SISTEMA DI SICUREZZA CON
 SCOPPIA DELLA IN TACOLA
 SCHLIESSENSTREIFEN MIT
 ON THE LOCKING STRIP
 DOUBLE CONNECTION SYSTEM

SCANSURA ENVIATA ALL'INTERNO DELL'AMBITO
 SOLENSCHLÖSSELUNG AN TÜR-UMGEBUNGSEBENE VERLÄSST
 CLOSING DEVICE ON PANEL INSIDE ENTRANCE

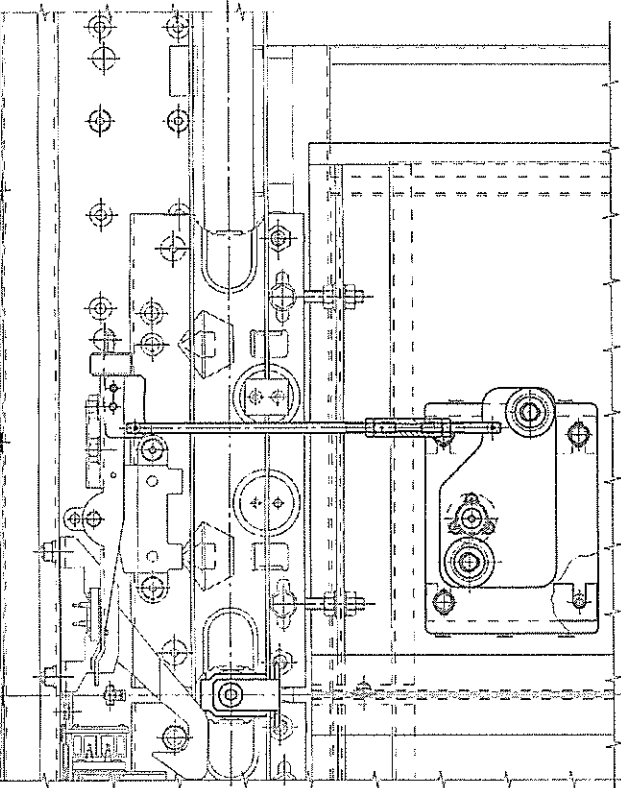
SCANSURA ENVIATA DAL
 PIANO DELL'AMBITO
 TÜR-UMGEBUNGSEBENE VERLÄSST
 CLOSING DEVICE ON PANEL
 SIDE ENTRANCE

PREMIERA ENVIATA DALLA PARTE ESTERNA
 SCHLIESSENSTREIFEN MIT
 CLOSING DEVICE ON CASE PART ASSURED

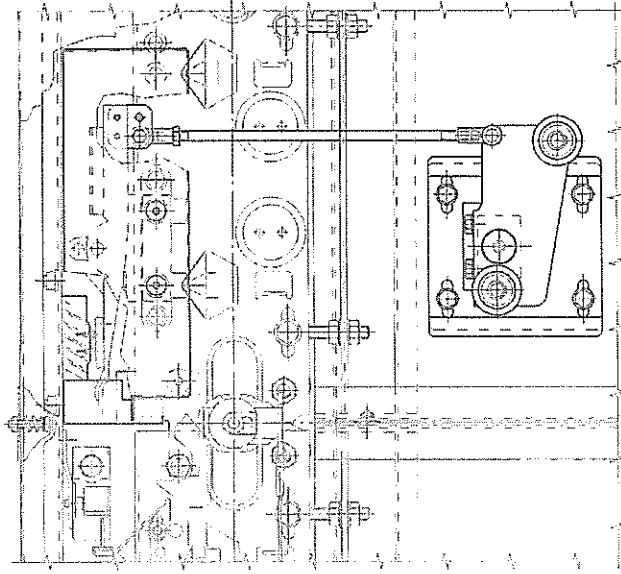
Stazione F-F
 Schwell F-F
 Station F-F

GERPURT.

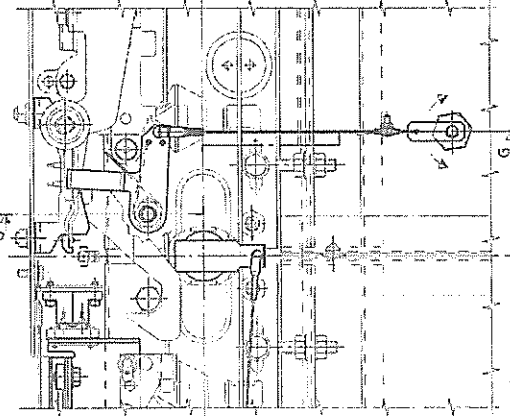
1-36
 31 MAR 2015



RINVIO COMANDO SERRATURA E FODERINA DI COPERTURA
 VERREGELUNGSANTRIEB VORLEGE UND ABDECKBLECH
 LOCK COMMAND REBOUND AND COVERING PLATE

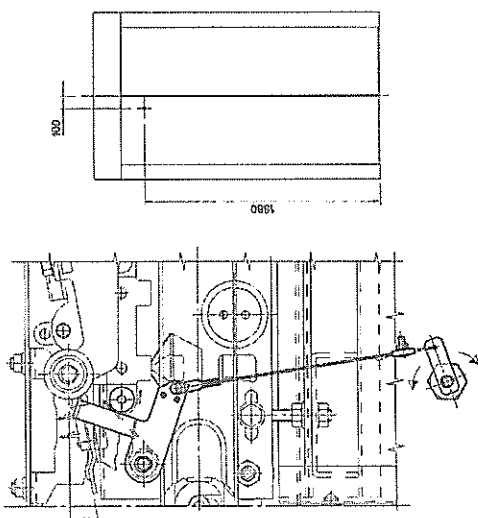


PROTEZIONE P. 44 E RINVIO COMANDO SERRATURA SULL' ANTA
 P. 43 SCHUTZKLASSE UND VERREGELUNGSANTRIEB AN TÜRBLATT VORGELEGT
 P. 44 SAFETY AND LOCK COMMAND ON PANEL REBOUNDED



STREIFUNG MIT SILICONE
 VERREGELUNG
 SEALED WITH SILICONE

PROTEZIONE ANTISCOCOLLO
 TROPENWASSERSCHUTZ
 ANTI-DROPPING PROTECTION



SCHEMA DI FUNZIONAMENTO
 BETRIEBSSCHEMA
 FUNCTION SCHEMA

F.L.O. SERRA
 ONS
 PLUMB LINE

Scatole 64
 Scatole 65
 Scatole 66
 Scatole 67

RINVIO EMERGENZA SU ANTA
 NOTENOTREGELUNGS AN TÜRBLATT VORGELEGT
 EMERGENCY TRANSMISSION ON PANEL

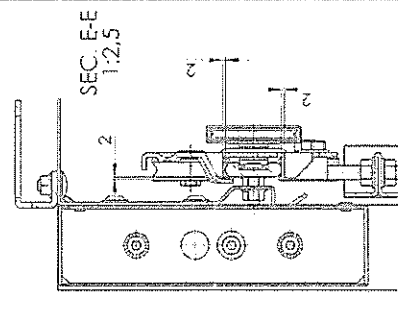
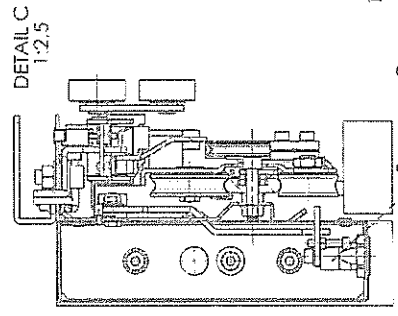
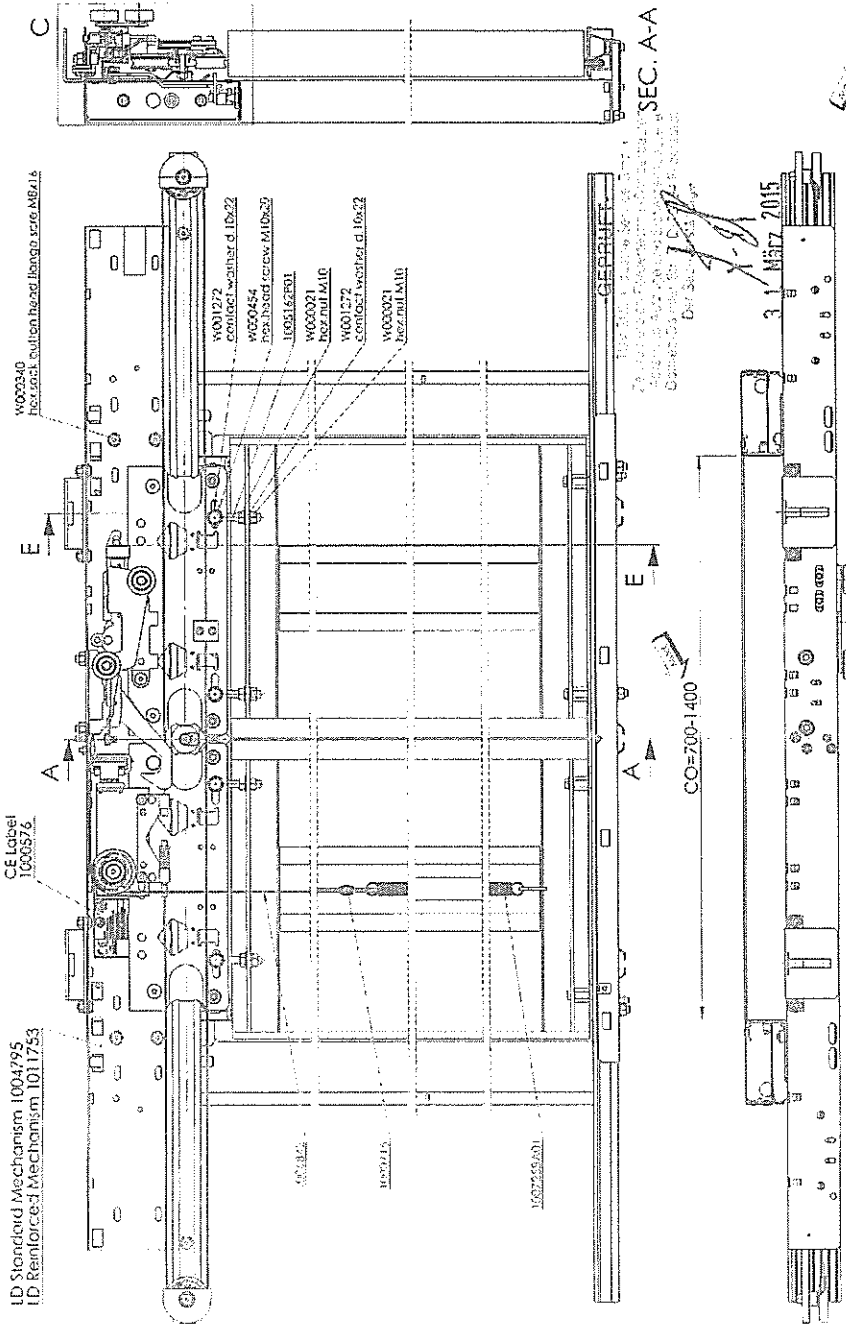
VARIANTEN FÜR SCHWACHSCHRITTRE
 2-BLÄTTIG HINGEFÜHRENDE AUSFÜHRUNG

| | | | |
|-----|-----------|-----|------------|
| 001 | 2014/0001 | 001 | 17-02-2015 |
| 002 | 2014/0002 | 002 | 17-02-2015 |
| 003 | 2014/0003 | 003 | 17-02-2015 |
| 004 | 2014/0004 | 004 | 17-02-2015 |
| 005 | 2014/0005 | 005 | 17-02-2015 |
| 006 | 2014/0006 | 006 | 17-02-2015 |
| 007 | 2014/0007 | 007 | 17-02-2015 |
| 008 | 2014/0008 | 008 | 17-02-2015 |
| 009 | 2014/0009 | 009 | 17-02-2015 |
| 010 | 2014/0010 | 010 | 17-02-2015 |
| 011 | 2014/0011 | 011 | 17-02-2015 |
| 012 | 2014/0012 | 012 | 17-02-2015 |
| 013 | 2014/0013 | 013 | 17-02-2015 |
| 014 | 2014/0014 | 014 | 17-02-2015 |
| 015 | 2014/0015 | 015 | 17-02-2015 |
| 016 | 2014/0016 | 016 | 17-02-2015 |
| 017 | 2014/0017 | 017 | 17-02-2015 |
| 018 | 2014/0018 | 018 | 17-02-2015 |
| 019 | 2014/0019 | 019 | 17-02-2015 |
| 020 | 2014/0020 | 020 | 17-02-2015 |
| 021 | 2014/0021 | 021 | 17-02-2015 |
| 022 | 2014/0022 | 022 | 17-02-2015 |
| 023 | 2014/0023 | 023 | 17-02-2015 |
| 024 | 2014/0024 | 024 | 17-02-2015 |
| 025 | 2014/0025 | 025 | 17-02-2015 |
| 026 | 2014/0026 | 026 | 17-02-2015 |
| 027 | 2014/0027 | 027 | 17-02-2015 |
| 028 | 2014/0028 | 028 | 17-02-2015 |
| 029 | 2014/0029 | 029 | 17-02-2015 |
| 030 | 2014/0030 | 030 | 17-02-2015 |
| 031 | 2014/0031 | 031 | 17-02-2015 |
| 032 | 2014/0032 | 032 | 17-02-2015 |
| 033 | 2014/0033 | 033 | 17-02-2015 |
| 034 | 2014/0034 | 034 | 17-02-2015 |
| 035 | 2014/0035 | 035 | 17-02-2015 |
| 036 | 2014/0036 | 036 | 17-02-2015 |
| 037 | 2014/0037 | 037 | 17-02-2015 |
| 038 | 2014/0038 | 038 | 17-02-2015 |
| 039 | 2014/0039 | 039 | 17-02-2015 |
| 040 | 2014/0040 | 040 | 17-02-2015 |
| 041 | 2014/0041 | 041 | 17-02-2015 |
| 042 | 2014/0042 | 042 | 17-02-2015 |
| 043 | 2014/0043 | 043 | 17-02-2015 |
| 044 | 2014/0044 | 044 | 17-02-2015 |
| 045 | 2014/0045 | 045 | 17-02-2015 |
| 046 | 2014/0046 | 046 | 17-02-2015 |
| 047 | 2014/0047 | 047 | 17-02-2015 |
| 048 | 2014/0048 | 048 | 17-02-2015 |
| 049 | 2014/0049 | 049 | 17-02-2015 |
| 050 | 2014/0050 | 050 | 17-02-2015 |

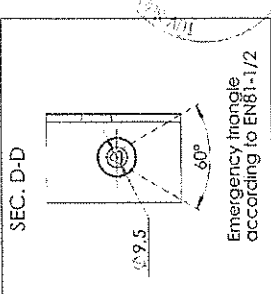
ID Standard Mechanism 1004795
 ID Reinforced Mechanism 1011753

CE Label
 1000576

- W002940
hook lock, cushion head, bronze serie N8A1.6
- W001272
contact washer, d. 16x22
- W000454
pre-baked screws M16x27
- 1600162801
- W002021
N8Z nut M16
- W001272
contact washer, d. 16x22
- W003001
N8Z nut M16

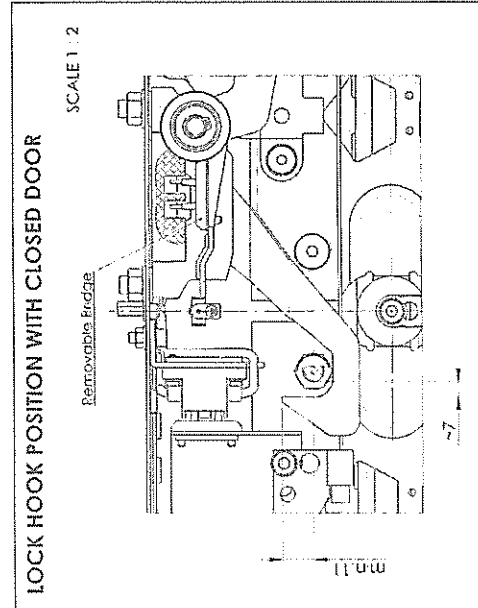
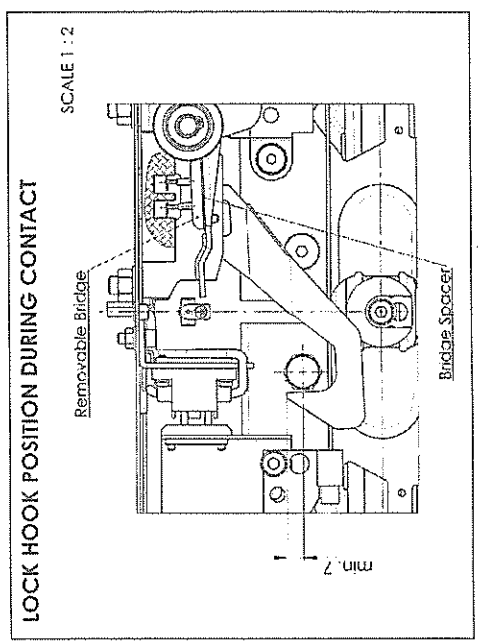


Emergency Device
 1003584A01
 CH=2000-2400



SEC. A-A

| FEASIBILITY DIMENSIONS | 700 | 750 | 800 | 850 | 900 | 950 | 1000 | 1050 | 1100 | 1150 | 1200 | 1250 | 1300 | 1350 | 1400 |
|------------------------|-----|-----|-----|-----|-----|-----|------|------|------|------|------|------|------|------|------|
| CO | | | | | | | | | | | | | | | |
| CH | | | | | | | | | | | | | | | |



Note:
 All not specified fixing screws/nuts are executed as self-safety fixings or with notched safety washers.

Note:
 Nominal values of the electrical safety contact:
 230V 2A AC
 200V 2A DC

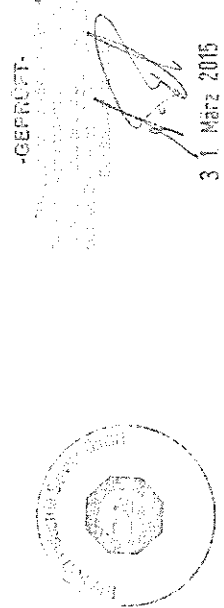
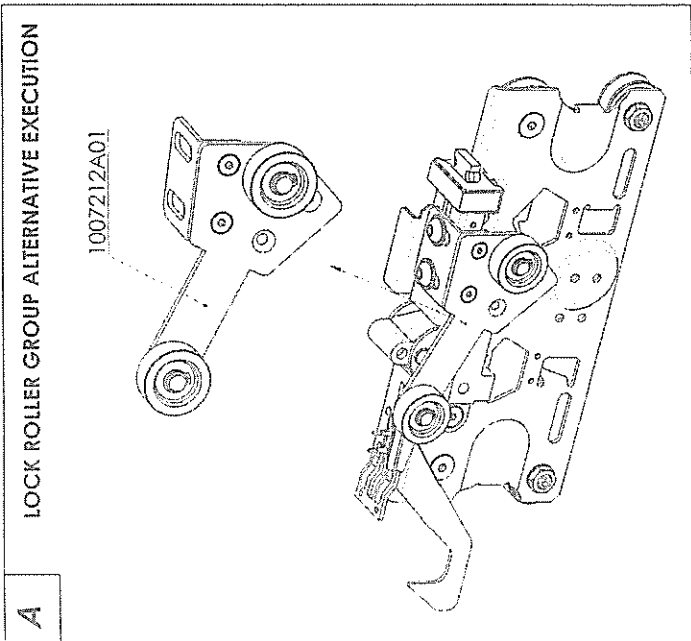
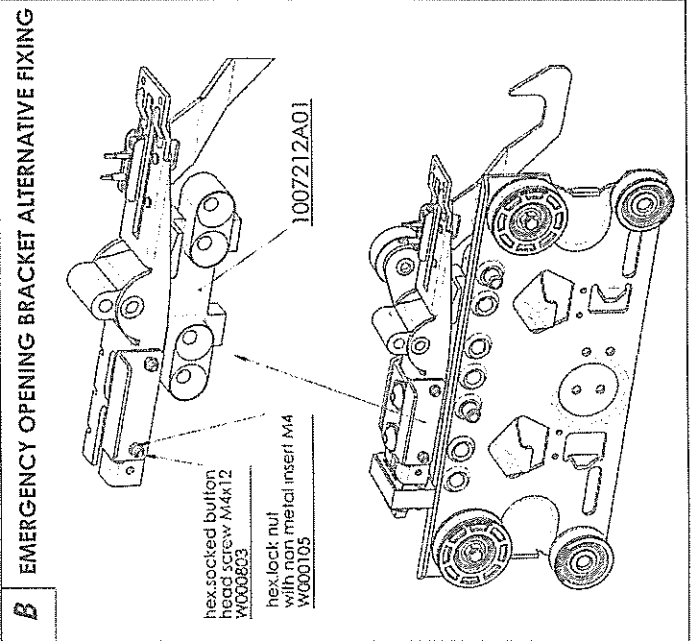
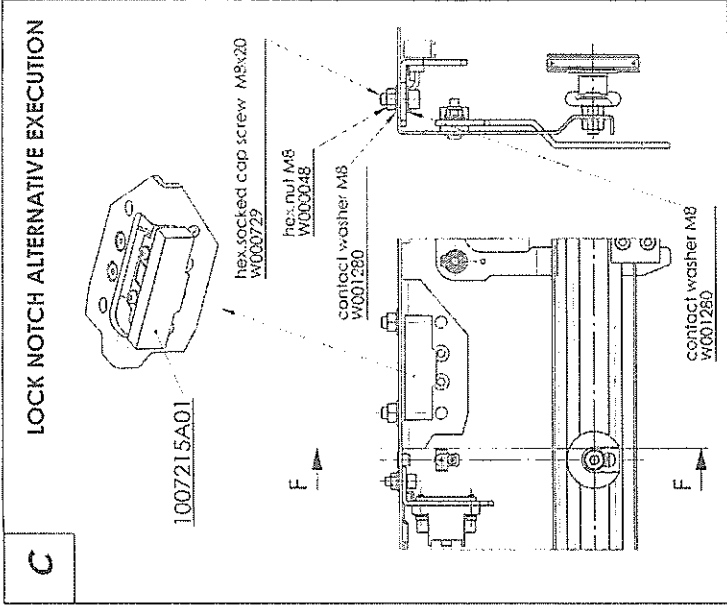
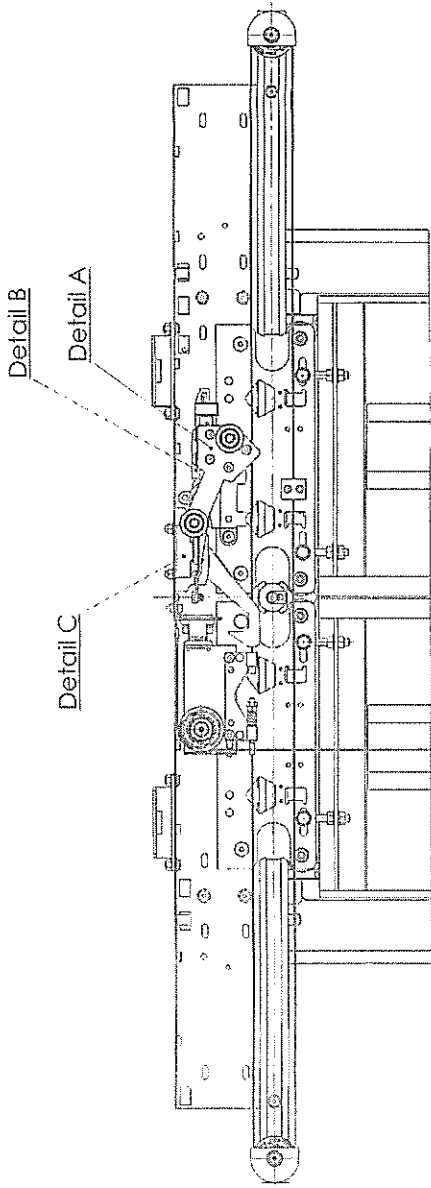
| | | | | | | | |
|----------|---------|---------------------------|-----|----|------------|------------|------------|
| CE Label | 1000576 | CE - certificate dwg.T.01 | 1.5 | A2 | 16/12/2015 | 11/12/2015 | 21/03/2016 |
| CE Label | 1000576 | CE - certificate dwg.T.01 | 1.5 | A2 | 16/12/2015 | 11/12/2015 | 21/03/2016 |
| CE Label | 1000576 | CE - certificate dwg.T.01 | 1.5 | A2 | 16/12/2015 | 11/12/2015 | 21/03/2016 |
| CE Label | 1000576 | CE - certificate dwg.T.01 | 1.5 | A2 | 16/12/2015 | 11/12/2015 | 21/03/2016 |
| CE Label | 1000576 | CE - certificate dwg.T.01 | 1.5 | A2 | 16/12/2015 | 11/12/2015 | 21/03/2016 |
| CE Label | 1000576 | CE - certificate dwg.T.01 | 1.5 | A2 | 16/12/2015 | 11/12/2015 | 21/03/2016 |
| CE Label | 1000576 | CE - certificate dwg.T.01 | 1.5 | A2 | 16/12/2015 | 11/12/2015 | 21/03/2016 |
| CE Label | 1000576 | CE - certificate dwg.T.01 | 1.5 | A2 | 16/12/2015 | 11/12/2015 | 21/03/2016 |
| CE Label | 1000576 | CE - certificate dwg.T.01 | 1.5 | A2 | 16/12/2015 | 11/12/2015 | 21/03/2016 |
| CE Label | 1000576 | CE - certificate dwg.T.01 | 1.5 | A2 | 16/12/2015 | 11/12/2015 | 21/03/2016 |

1007263 1/2 A

Complete Landing Door
 Porta Di Piano Completa
 EC - certificate dwg.T.01
 I.O.I. dis. certificata CE

WITTUR

MECHANISM EXECUTION VARIANTS



| | | | |
|--|--|---|-------------------------|
| SYSTEM BEZEICHNUNG A 3 ASSOCIATED SYSTEMS ADDRESS REFINANCE PARTS | PROJEKT-NR. 2-200035 | PROJEKT-NR. 111W000A | PROJEKT-NR. 111W000A |
| CDT ISO 1302 | COMPLETE LANDING DOOR Porta Di Piano Completa | EC - certificate div. I.01 T.O. c/cis certificato CE | 2/2 |
| | 1007263 | 1.5 AC | A |
| WITTUR | 1007263 | 16/12/2015 | 21/03/2016 |